

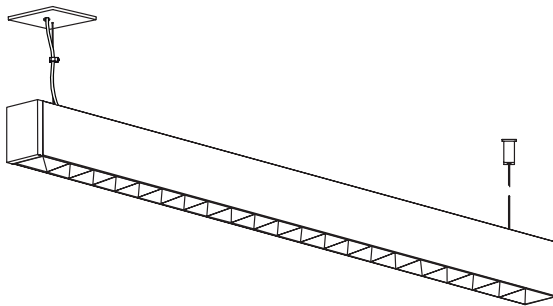
# BASO 1.5 LOUVER suspended



MOUNTING INSTRUCTIONS

## SUSPENDED

DO NOT DISCARD!



SIGN LEGEND



Power OFF



Power ON



DON'T touch the LED



Attention

TOOLS REQUIRED  
(not included)



pencil



screwdriver



drill

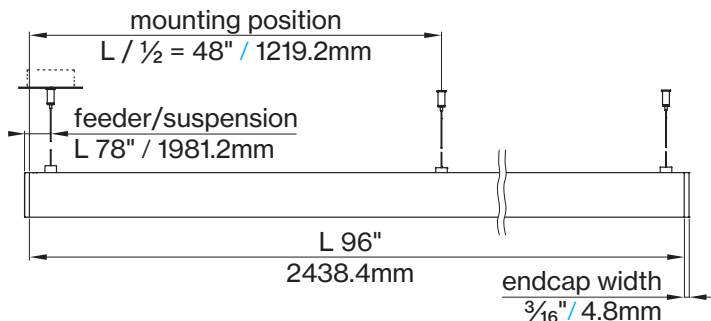
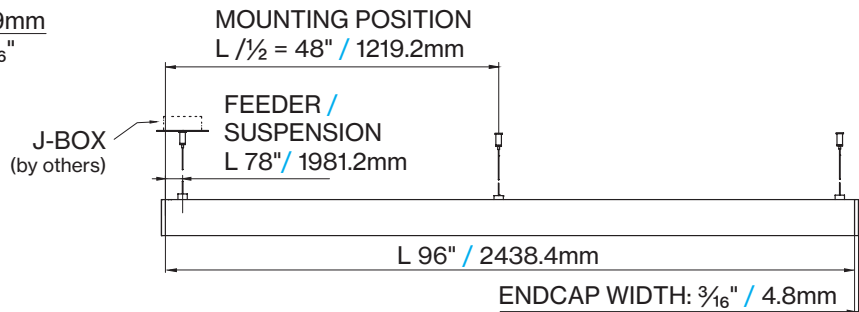
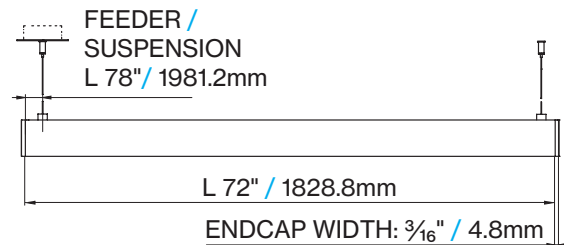
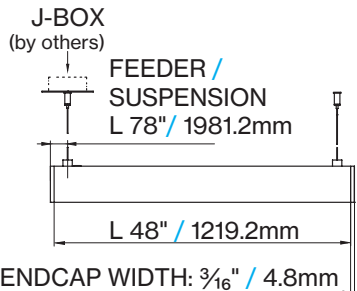
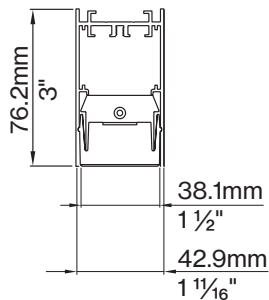


Use ESD gloves

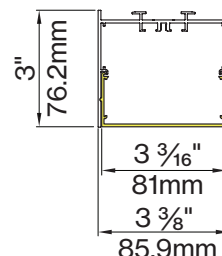


level

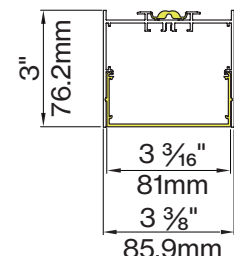
### BASO 1.5 LOUVER DIRECT



### BASO 4.0 direct



### BASO 4.0 direct / indirect



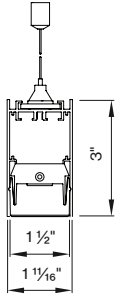
# BASO 1.5 LOUVER suspended



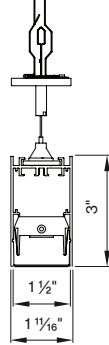
## MOUNTING INSTRUCTIONS

### BASO 1.5 LOUVER SPECIALTY MOUNTING TYPES

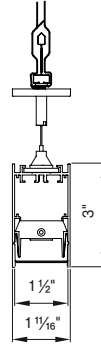
BASO 1.5  
Pendant



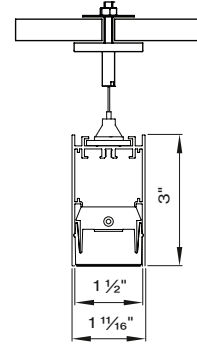
BASO 1.5  
Pendant T-BAR ACT



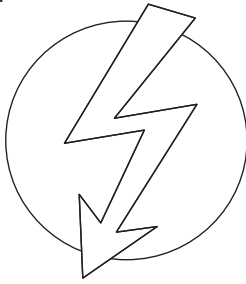
BASO 1.5  
Pendant ACT Slot



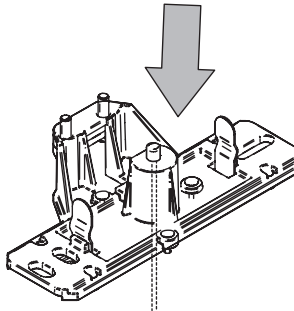
BASO 1.5  
Pendant ACT Center



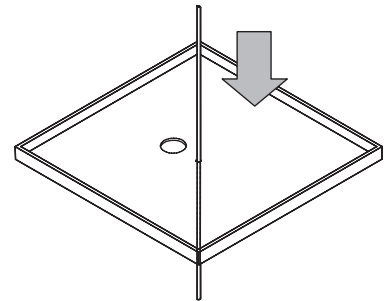
Turn **OFF** power source before installation



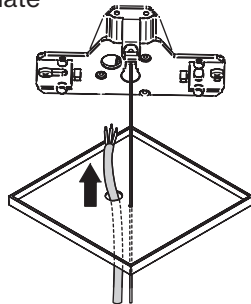
1. Thread **aircraft cable** through bracket



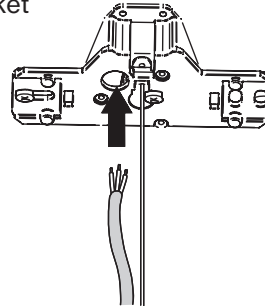
2. Thread aircraft cable through cover



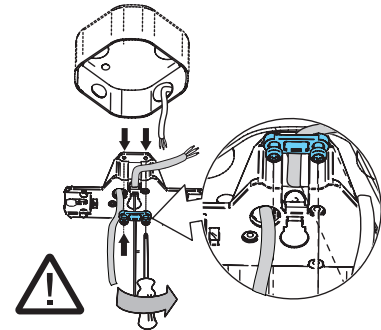
3. Thread **power feed** through cover plate



4. Thread **power feed** through bracket

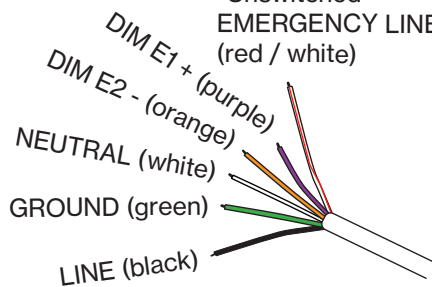


5. Use screws to secure strain relief

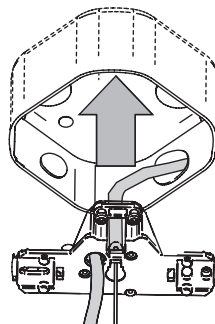


6. Connect wiring to power source

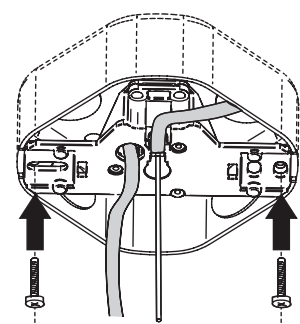
\*Unswitched  
EMERGENCY LINE  
(red / white)



7. Place bracket into junction box



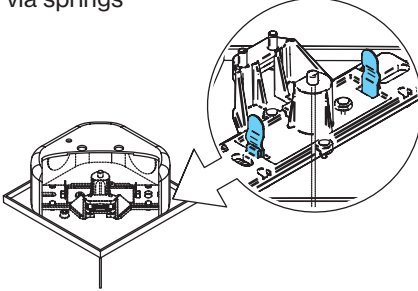

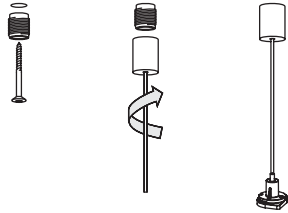
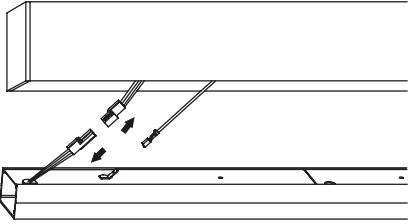
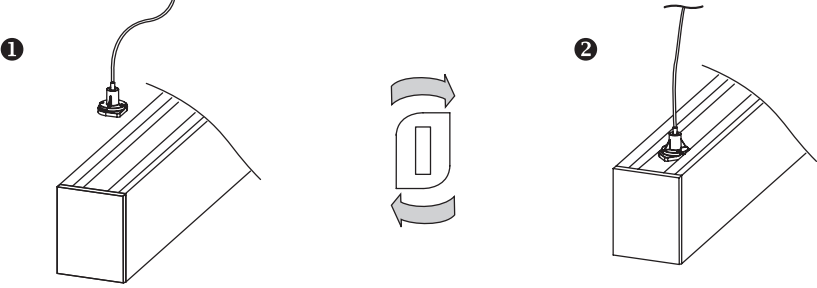
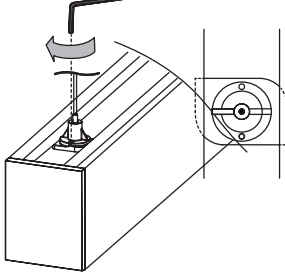
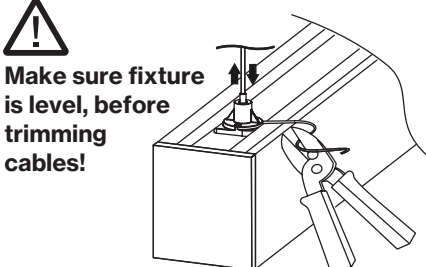
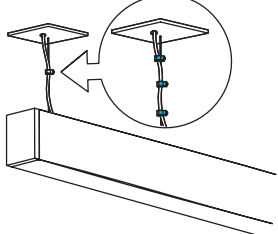
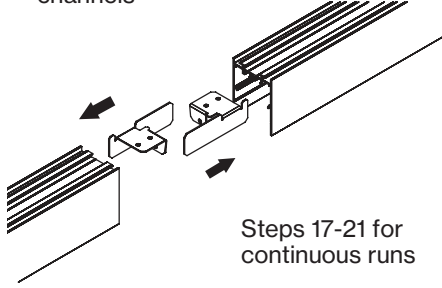
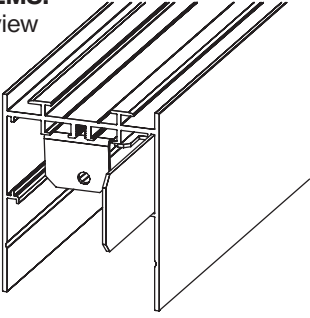
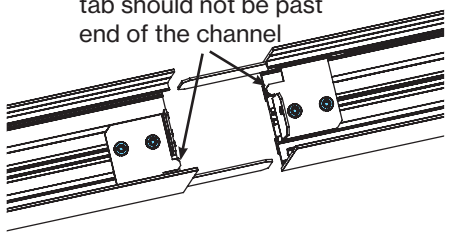
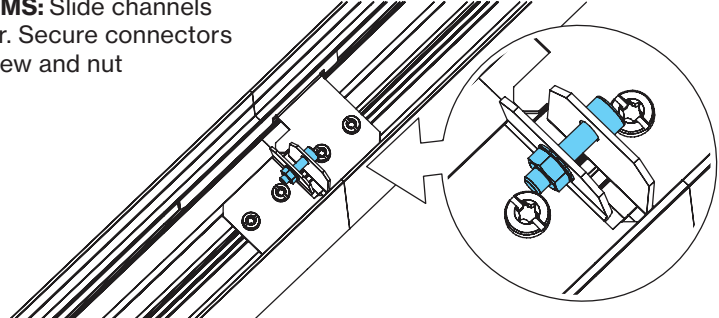
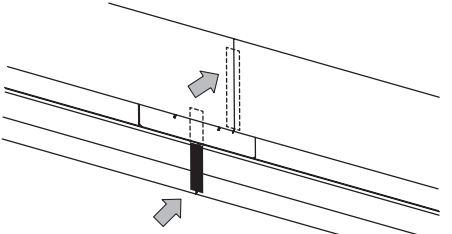
8. Screw bracket into junction box



# BASO 1.5 LOUVER suspended



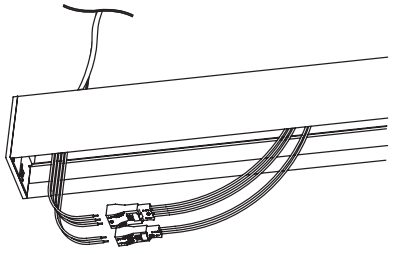
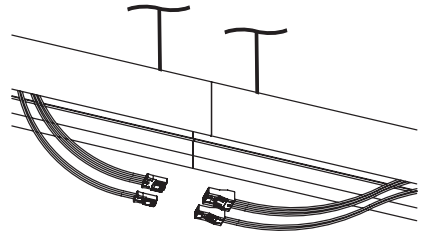

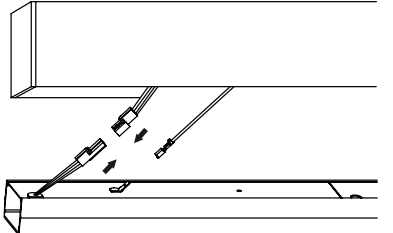
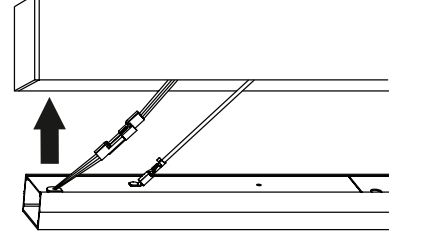
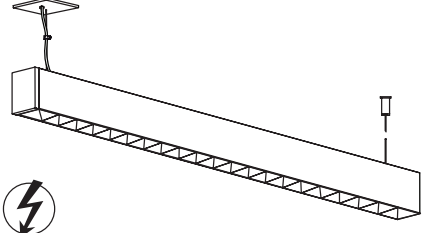
## MOUNTING INSTRUCTIONS

<p>9. Click cover plate onto bracket via springs</p> 	<p>10. Mark mounting positions for suspension</p> 	<p>11. Assemble barrel mount and rope fixation. Use anchors that are appropriate for your ceiling type</p> 
<p>12. Remove inset / lens from channel</p> 	<p>13. Insert rope fixation into TOP of channel and turn clockwise to secure</p> 	
<p>14. Use HEX KEY to tighten set screw</p> 	<p>15. Adjust cables; once they are level, trim them</p> <p><b>Make sure fixture is level, before trimming cables!</b></p> 	<p>16. Secure power feed cable to suspension, cable every 3 inches using cable ties (cable ties provided by others)</p> 
<p>17. <b>SYSTEMS:</b> Slide connectors into channels</p>  <p>Steps 17-21 for continuous runs</p>	<p>18. <b>SYSTEMS:</b> Detail view</p> 	<p>19. <b>SYSTEMS:</b> Use screws to secure connectors to channels</p> <p>tab should not be past end of the channel</p> 
<p>20. <b>SYSTEMS:</b> Slide channels together. Secure connectors with screw and nut</p> 	<p>21. <b>SYSTEMS:</b> Apply black electrical tape to the interior of the channels (where channels meet)</p> 	

# BASO 1.5 LOUVER suspended



## MOUNTING INSTRUCTIONS

<p>22. Establish primary connection to feeder</p> 	<p>23. Establish connection between segments</p>  <p>Repeat steps 16 - 21 for multiple channels</p>	<p>24. Test the grounding of the channel(s)</p>  <p>*MAX 0.5 OHM RESISTANCE*</p>
<p>25. Connect inset(s) wiring to channel(s)</p> 	<p>26. Make connection between segments</p> 	<p>27. Installation complete</p> 

## Technical Support Hotline

Call the XAL After Sales Hotline from Monday to Friday, 8 AM - 6 PM (EST)

Hotline:  
**+1 203 262 9990**

Or 24/7 via email:  
**service@xalusa.com**

**EN** Installation, commissioning and maintenance may only be performed by authorized and qualified personnel, taking into consideration these installation instructions and any standards and regulations applicable to the respective area of application. The electrical, mechanical and thermal suitability of the luminaire for the intended area of application must be ensured and the secure fastening of the luminaire after its installation must be controlled. Turn off supply voltage before replacing any lamps (if applicable) as well as before performing any other works on the luminaire (e.g. cleaning) and wait until luminaire and lamp have completely cooled off. Please refer to the installation notes of the lamp manufacturer when inserting, replacing and operating conventional lamps. Use a soft, damp cloth to clean the luminaire. To clean plastic components and reflectors, a standard pH neutral, alcohol-free, non-abrasive cleaning agent may also be used. Keep these instructions in a safe place as reference for any future maintenance works.

- The lamp is not suitable for outdoor use.
- The lamp may only be used with a safety guard.
- Damaged protection glasses and covers have to be replaced immediately.
- Corrosive chemical products must not be used as this may have a detrimental effect on the luminaire.
- No liability is accepted for any subsequent change of the luminaire.
- LEDs are high-quality electronic components! Please avoid touching by hand the LED light emitting surface while assembling or replacing parts and during maintenance work.
- To avoid damage of the profile, unevenness on the wall or ceiling must be leveled out before assembling the profiles. While assembling the profiles, make sure they do not deform in order to guarantee their proper function.
- The light source contained in this luminaire shall only be replaced by the manufacturer or his service agent or a similar qualified person.
- The LED circuit must always be closed, before the converter is connected to the main power. XAL does not assume any liability for damages resulting from nonobservance of this rule.
- Luminous flux and connected electrical load are subject to an initial tolerance of up to +/- 10%. Color temperature is subject to a tolerance of up to +/- 150 Kelvin from the nominal value.

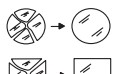
**FR** Le montage et la maintenance peut être effectué par spécialistes respectant les normes y régles valides. Assurer l'aptitude thermique, mécanique et électrique pour l'emploi prévue et assurer la fixation de la luminaire. Éteindre la tension avant de changer les lampes (si applicable) ou avant de réaliser travaux (p.ex nettoyage) à la luminaire. Attendre jusqu'à ce que la luminaire et les lampes ont fraîchit complètement. Merci de bien vouloir vous référer aux notes d'installation du fabricant de la lampe lors de l'insertion, le remplacement et la mise en route, avec des lampes conventionnelles. Pour nettoyer la luminaire utiliser un drap humide et doux. Pour nettoyer les parties du plastique ou les réflecteurs on peut utiliser encore un produit de nettoyage sans alcool qui ne fraye pas le material. Garder cette notice de montage pour possibles travaux de maintenance.

- La luminaire n' est pas apte pour l'utilisation exterieur.
- Utiliser la luminaire seulement avec un dispositif de sécurit .
- Changer imm diatement des verres de s curit  d fectes ou bien des  crans de protection.
- Evitez tout contact de la lampe avec de produits chimiques corrosifs.
- Nous d clinons toute responsabilit  en cas de modifications ult rieures.
- Des LEDs sont des composants  lectroniques de haute qualit ! Eviter tout contact direct de la surface de sorti de lumi re de la LED avec les mains lors du montage ou des les travaux de maintenance de la lampe.
- Pour  viter l'endommagement du profil, il est n cessaire de compenser les irr gularit s du mur ou du plafond avant le montage des profils. Pour garantir un fonctionnement irr prochable des profils, il ne faut pas d former les profils lors du montage.
- La source du luminaire peut  tre remplac  uniquement par le fabricant ou un tiers habilit .
- Il faut que le circuit de LED soit ferm  avant de connecter le convertisseur. XAL ne assume pas la garantie si cette norme ne se respecte pas.
- La puissance et le flux lumineux affich  d'origine une tol rance de +/-10 %. Tol rance de la couleur de temp rature : +/- 150 Kelvin.

**ES** La instalaci n, la puesta en marcha y el mantenimiento s lo deben realizarse por personal especializado considerando esta gui  de instalaci n y todas las normas y reglamentaciones vigentes. Asegurarse de la aptitud el ctrica, mec nica y t rmica de la luminaria para la aplicaci n prevista y comprobar la fijaci n segura de la luminaria despu s de su instalaci n. Apagar siempre la corriente antes de cambiar la l mpara (en caso justificado) o de realizar alg n otro trabajo en esta (p.ej. Limpieza). Esperar hasta que se enf en la luminaria y la l mpara completamente. Tener en cuenta las instrucciones de montaje del fabricante al colocar, cambiar y utilizar l mparas convencionales. Para la limpieza de la luminaria utilizar un pa o suave y h medo. Para limpiar componentes de pl stico y reflectores puede usar tambi n un limpiador pH neutral y sin alcohol que no roce el material. Guardar esta gui  de instalaci n para trabajos de mantenimiento.

- La luminaria no es apta para utilizarla en el exterior.
- La luminaria s lo debe accionar con un dispositivo de seguridad.
- Cambie de inmediato los vidrios y las tapas de protecci n da ados.
- Quimicos que tienen efectos corrosivos no deben influir en la luminaria.
- Para modificaciones futuras en la luminaria no se asume ninguna responsabilidad.
- Los LED son componentes electr nicos de alta calidad! Por favor durante el montaje o el mantenimiento evite el contacto directo con la superficie de emisi n.
- Para evitar da os en el perfil, los desniveles de las paredes y techos deben ser enrasados antes del montaje de los perfiles. Para garantizar su buen funcionamiento, los perfiles no deben sufrir deformaciones durante el montaje.
- La fuente luminosa contenida en esta luminaria debe ser reemplazada  nicamente por el fabricante o su agente de servicio o similar persona calificada.
- El circuito LED debe ser cerrado antes de conectar el convertidor. XAL no asume garant a si esta norma no se respeta.
- Los datos de flujo luminoso y potencia son inicialmente pasibles de tolerancias de +/- 10%. Tolerancia de la temperatura de colore: +/- 150 Kelvin.

We reserve the right to change our products at any time. Current information is available at [www.xalusa.com](http://www.xalusa.com).  
Nos reservamos en todo momento el derecho de realizar cambios en nuestros productos. n nuestra p gina web [www.xalusa.com](http://www.xalusa.com) siempre se encontrar n datos actuales.  
Nous nous r servons le droit de modifier   tout moment nos produits. Vous trouverez toujours toutes les informations actuelles sur [www.xalusa.com](http://www.xalusa.com).

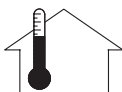


The lamp may only be operated with its full protective cover!



L'apparechio necessita del relativo vetro di protezione!

S lo usar la luminaria con su cobertura de seguridad completa!



Recommended room temperature: 77  F.  
Temperatura ambiente recomendada: 77  F.  
Temp rature ambiante recommand e: 77  F.



Don't touch the LED



Use gloves.  
Use guantes.  
Utiliser des gants.